

TL30-70 100 High Cab V R-Series Telescopic Handler

Telescopic Specifications

Performance

| | |
|------------------------------------|-----------|
| Rated capacity | 3000 kg |
| Capacity (at max. height on tyres) | 2000 kg |
| Capacity at max. reach | 1050 kg |
| Lifting height | 6675.0 mm |
| Tilt Breakout force | 4600 daN |
| Drawbar pull (20" tyres) | 4900 daN |
| Drawbar pull (24" tyres) | 4100 daN |
| Max. gradeability (20" tyres) | 33.0° |
| Max. gradeability (24" tyres) | 33.0° |
| Max. reach | 4020.0 mm |

Cycle times

| | |
|-----------------|-------|
| Boom raising | 5.3 s |
| Boom lowering | 4.0 s |
| Boom extension | 6.3 s |
| Boom retraction | 4.2 s |
| Crowding | 2.5 s |
| Dumping | 2.4 s |

Weights

| | |
|----------------------------|---------|
| Unladen weight (20" tyres) | 5564 kg |
| Unladen weight (24" tyres) | 5684 kg |

Engine

| | |
|----------------------------|------------|
| Make / Model | Bobcat D34 |
| Fuel | DIESEL |
| Rated power (ISO 14396) | 74.0 kW |
| Rated speed | 2400.0 RPM |
| Maximum torque at 1400 rpm | 430.0 Nm |
| Number of cylinders | 4.0 |
| Displacement | 3.41 L |

Hydraulic system

| | |
|-------------------------------|--|
| Pump type | Gear pump with LS valve |
| Pump capacity | 100.00 L/min |
| Relief valve pressure setting | 250.00 bar |
| Control valve type | Open center with flow sharing & flow compensators technology |

Drive system

| | |
|--------------|--|
| Transmission | Hydrostatic with electronic regulation |
| Main Drive | Hydrostatic motor |

Traction

| | |
|---|----------------------|
| Standard Tyres | 405/70-20 16PR TM R4 |
| Max speed - turtle mode (24" / 20") | 10 / 8,5 |
| Max speed - rabbit mode (24" / 20") | 31 / 26,5 |
| Max speed - turtle mode (24" / 20") - (Option high speed) | 10 / 8,5 |
| Max speed - rabbit mode (24" / 20") - (Option high speed) | 40 / 35 |

Brakes

| | |
|-----------------------------|--------------------|
| Engine Braking | Hydrostatic |
| Parking and Emergency brake | Passive brake |
| Service Brake | Oil immersed discs |

Steering

| | |
|---------------|---|
| Steering Mode | 2 wheel steering / 4 wheel steering / Crab-steering |
|---------------|---|

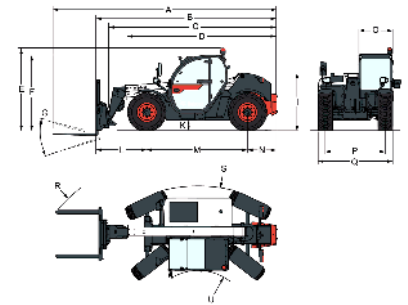
Fluid Capacities

| | |
|------------------|----------|
| Fuel tank | 115.00 L |
| Adblue ® tank | 22.40 L |
| Hydraulic tank | 47.00 L |
| Hydraulic system | 88.00 L |

Environmental

| | |
|---------------------------------------|-----------------------|
| Operator noise level (LpA) (EN 12053) | 76 dB(A) |
| Level of acoustic power (LwA) | 106 dB(A) |
| Whole body vibration (EN 13059) | 1.80 ms ⁻² |

Dimensions



Values marked with * - 24" tyres

| | | | |
|------|-----------|------|-----------|
| (A) | 6240.0 mm | (K*) | 348.0 mm |
| (B) | 5035.0 mm | (L) | 1400.0 mm |
| (C) | 4670.0 mm | (M) | 2820.0 mm |
| (D) | 4185.0 mm | (N) | 818.0 mm |
| (D*) | 4273.0 mm | (O) | 930.0 mm |
| (E) | 2440.0 mm | (P) | 1666.0 mm |
| (E*) | 2524.0 mm | (Q) | 2100.0 mm |
| (F) | 2290.0 mm | (R) | 5035.0 mm |
| (F*) | 2375.0 mm | (R*) | 5135.0 mm |
| (G) | 136.0° | (S) | 3717.0 mm |
| (I) | 1587.0 mm | (S*) | 3875.0 mm |
| (I*) | 1671.0 mm | (U) | 1329.0 mm |
| (K) | 264.0 mm | (U*) | 1503.0 mm |

Load Charts

Load Charts

